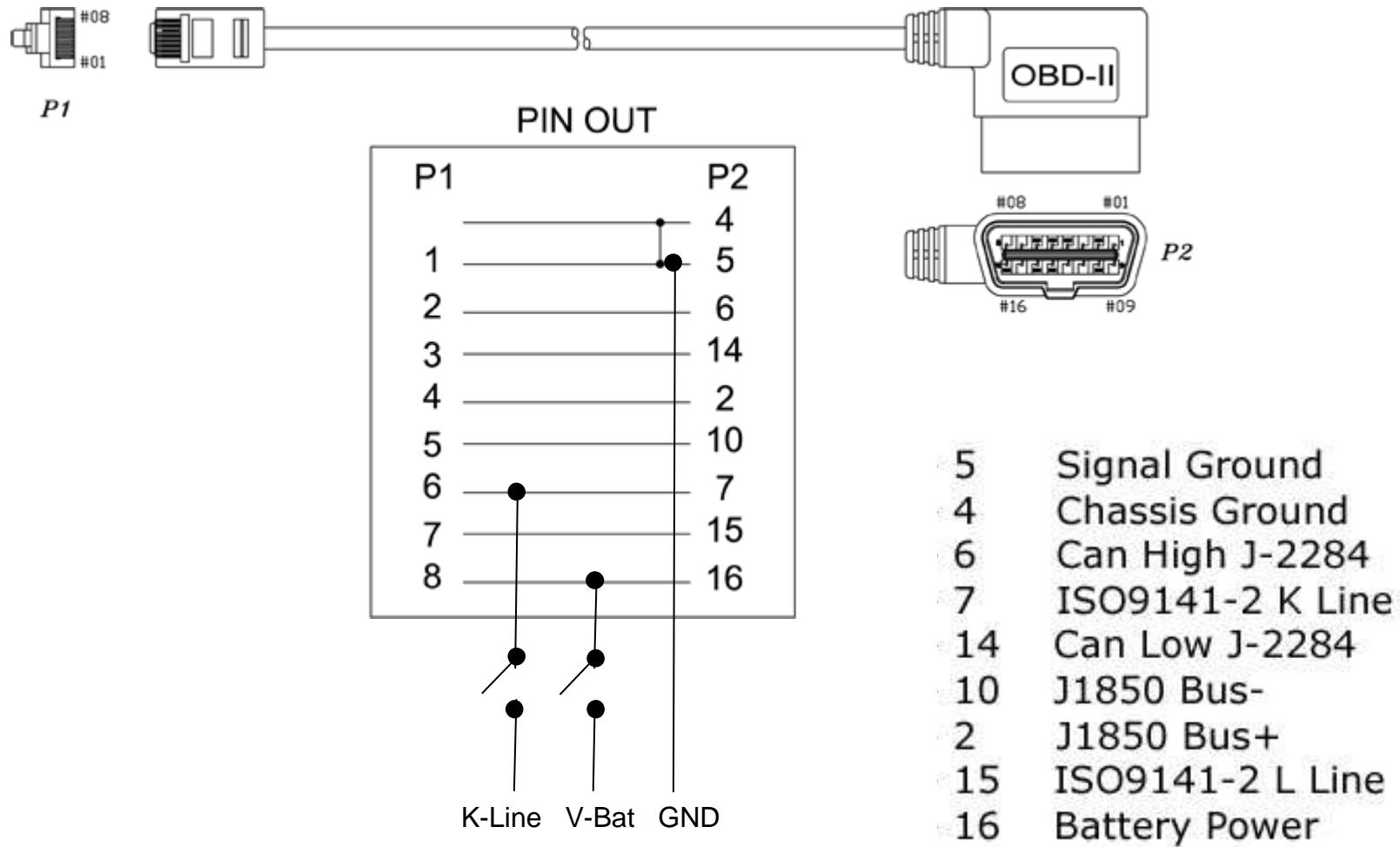


# liquid multigauge connections for splicing into cable



It is recommended to include an in line switch so that the unit can be isolated when connected to a workshop diagnostic tester.